



The WVC Series is designed for automatic vertical handling of chain-only anchor rodes while offering an independent capstan for the retrieval of a secondary rope and chain rode or to assist with docking procedures.

Features and benefits

- Fully automatic single or dual direction chainwheel operation.
- High-quality finish on above deck components, manufactured from marine grade 316 stainless steel and chromed bronze, for long term durability.
- Integral chain pipe and stripper are aligned for virtually jam-free operation providing automatic feed of chain into and out of the anchor locker.
- Port and starboard chain pipes for twin installations. (Sizes 2500 and above only.)
- Cone-type brake/clutch mechanism permits manual 'free fall' anchoring. Cone clutches, unlike dog clutches, provide smooth progressive engagement ensuring safe and precise operator control.
- Chainwheel locking pawl.
- Optional Band Brake available for 3500 series unit.
- Clutch disengagement of the chainwheel enables independent rope hauling from any direction, using the Max-grip™ snag-free warping drum for positive control of all ropes.
- Simple through deck installation by modular design and precise alignment of gearbox to the topworks utilising marine-grade stainless steel bolts.
- Anodized aluminium gearbox and spacer tube on all models.
- Heavy duty, dual direction motor, designed for marine winches.
- Low Profile configurations (no warping drum) are available.

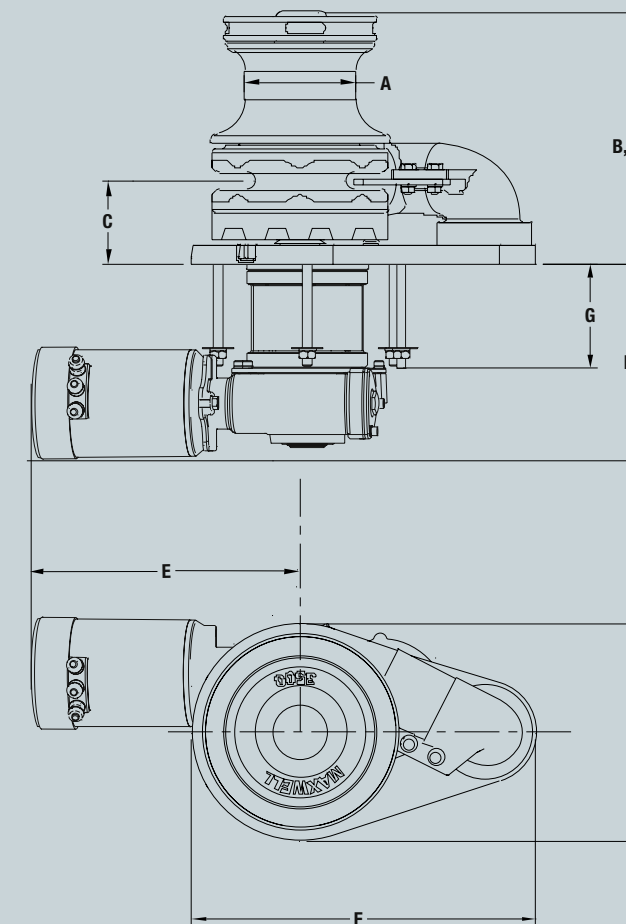
SPECIFICATIONS

MODEL	1000	1500	2500	3500
Maximum Pull/Lift	700kg 1540lbs	850kg 1870lbs	1135kg 2500lbs	1590kg 3500lbs
Static Hold	1500kg 3300lbs	1500kg 3300lbs	2200kg 4840lbs	2200kg 4840lbs
Chain Short Link	6-10mm 1/4" - 3/8"	6-10mm 1/4" - 3/8"	9-11mm 5/16" - 7/16"	10-13mm 3/8" - 1/2"
Line Speed (Normal Working)	18m/min 60ft/min	18m/min 60ft/min	15m/min 50ft/min	15m/min 50ft/min
Power Supply (DC)	12 or 24V	12 or 24V	12 or 24V	12 or 24V
Motor (Watts)	1000W	1200W	1200W	1200W
Net Weight - DC	24kg 52lbs	24kg 52lbs	38kg 84lbs	48kg 106lbs
Hydraulic Pressure	100bar 1450PSI	138bar 2000PSI	138bar 2000PSI	138bar 2000PSI
Hydraulic Flow	20 l/min 5.3USgal/min	20 l/min 5.3USgal/min	36 l/min 9.5USgal/min	42 l/min 11USgal/min
Net Weight - Hyd	17kg 37lbs	17kg 37lbs	32kg 70lbs	40kg 88lbs

DIMENSIONS

MODEL	1000	1500	2500	3500
A	80mm 3 1/8"	80mm 3 1/8"	94mm 3 11/16"	110mm 4 5/16"
B	195mm 7 11/16"	195mm 7 11/16"	242mm 9 9/16"	254mm 10"
B ¹ (Low Profile)	98mm 3 7/8"	98mm 3 7/8"	148mm 5 27/32"	149mm 5 7/8"
C	56mm 2 7/32"	56mm 2 7/32"	80mm 3 5/32"	83mm 3 9/32"
D	252mm 9 5/16"	252mm 9 5/16"	210mm 8 5/16"	210mm 8 5/16"
E	262mm 10 11/32"	272mm 10 23/32"	281mm 11 1/8"	281mm 11 1/8"
F	224mm 8 27/32"	224mm 8 27/32"	297mm 11 23/32"	342mm 13 7/16"
G (Std deck clearance)*	100mm 4"	100mm 4"	100mm 4"	100mm 4"
G (Extra deck clearance)^	150mm 6"	150mm 6"	200mm 8"	200mm 8"
I	165mm 6 1/2"	165mm 6 1/2"	190mm 7 1/2"	215mm 8 15/32"

*For WVC1000 and WVC1500 a shorter deck clearance version is also available at 50mm (2").
^ A deck clearance increase will also increase the 'D' measurement by the same increment.



3 YEAR
Limited Warranty

STANDARD EQUIPMENT REQUIRED FOR SINGLE DIRECTION CONTROL

- Circuit breaker/isolator panel (supplied with DC units only)
- Foot Switches (supplied with DC units only)
- Chainwheel to suit chain sizes specified
- Emergency crank handle and clutch control lever

OPTIONS

- Additional foot Switches
- Chain Stopper*
- Up/Down remote control panel
- Extra deck clearance kit
- AutoAnchor™ Equipment
- Compact Remote
- Roving remote
- Hydraulic motor

All standard and optional control accessories can be found on pages 26-29.



WVC1500 Low Profile configuration



WVC3500 Band Brake featuring Maxwell's innovative 'stow-a-way' tensioning lever



WVC3500 without Band Brake

WVC3500 model is available with optional easy to use Band Brake

